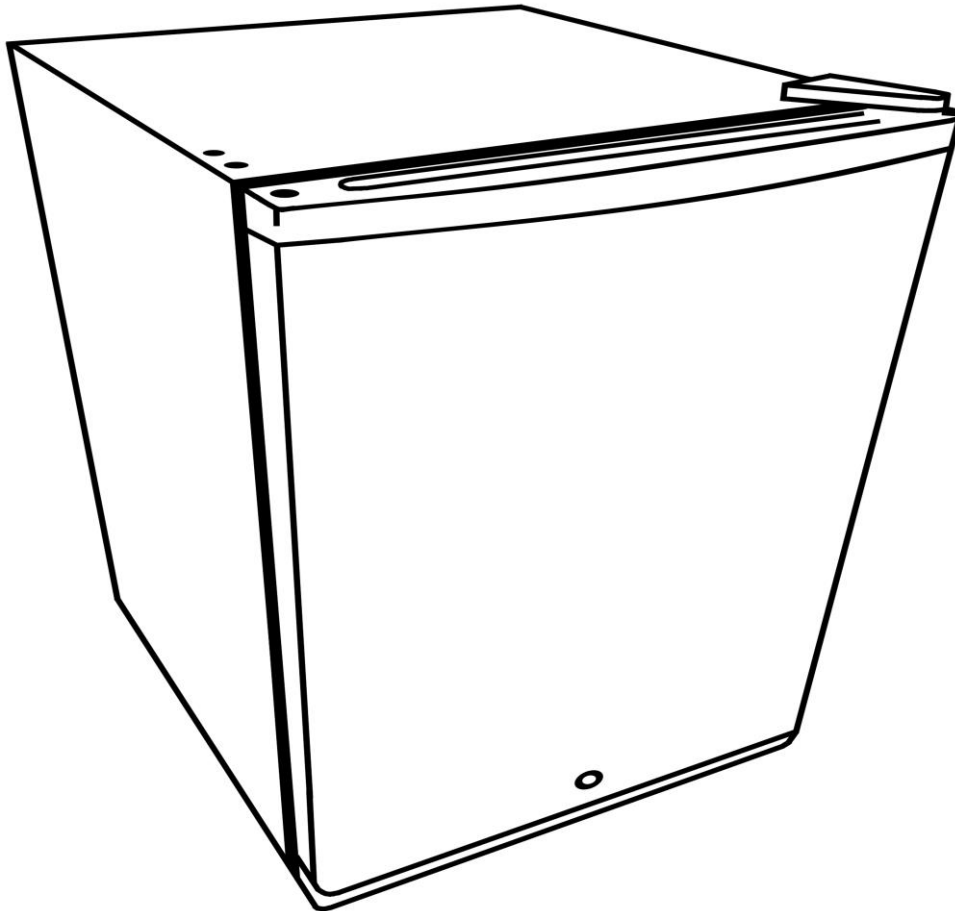




WHYNTER 1.1 cu. ft. UPRIGHT FREEZER

MODEL # : CUF-110B

Instruction Manual

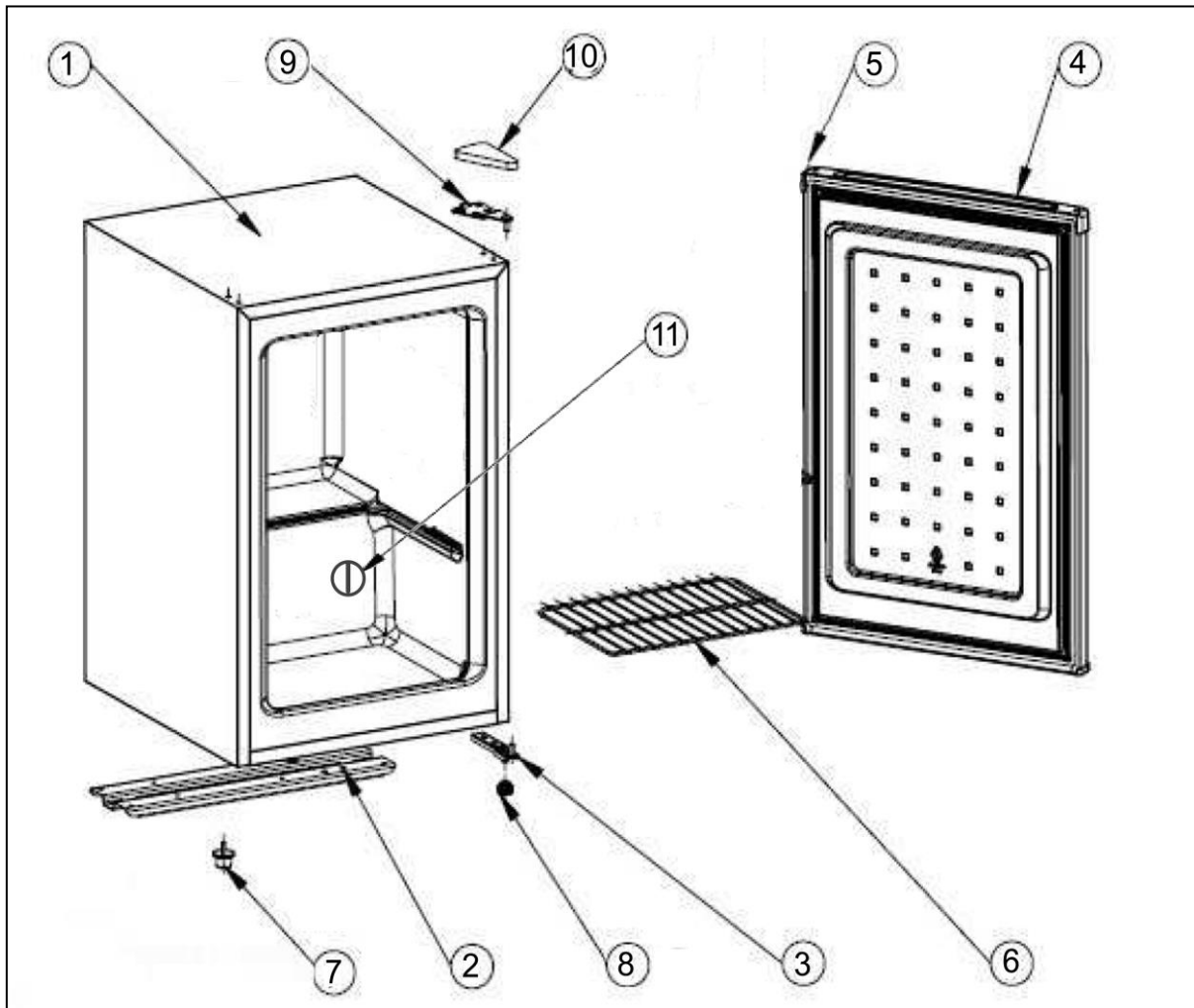


Congratulations on your new WHYNTER product. To ensure proper operation, please read this Instruction Manual carefully before using this product. Keep this manual in a safe place for future reference.

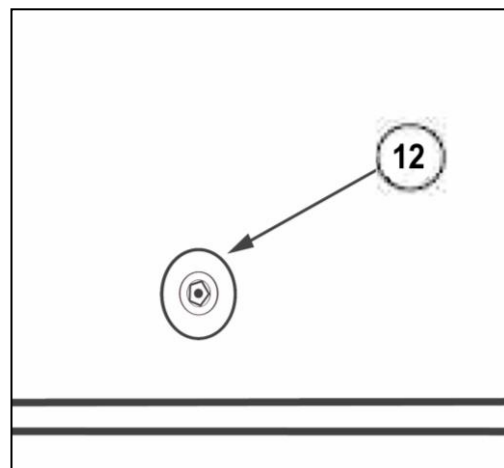
TABLE OF CONTENTS

Part and Features	3
Safety Precautions	4
Electrical Requirements	5
Installation	6
Leveling the upright freezer	7
Reversing the door swing	8
Operation	9
Defrosting	10
Cleaning and maintenance	10 - 11
Energy Saving Tips	11
Troubleshooting	12
Warranty Information	13

PARTS AND FEATURES



1. Cabinet
2. Compressor mounting panel
3. Bottom hinge
4. Door
5. Door seal
6. Powder-coated steel wire shelf
7. Leveling leg
8. Smaller bottom hinge leveling leg
9. Top hinge
10. Top hinge cover
11. Thermostat control knob
12. Lock



⚡WARNING⚡

TO REDUCE THE RISK OF FIRE, ELECTRICAL SHOCK, OR INJURY WHEN USING YOUR FREEZER, FOLLOW THESE BASIC PRECAUTIONS:

- READ ALL INSTRUCTIONS BEFORE USING THE FREEZER.
- **WARNING:** RISK OF DANGER TO SMALL CHILDREN AND SMALL ANIMALS. ENTRAPMENT AND SUFFOCATION DANGER IF NOT PROPERLY SECURED. DISPOSED OR ABANDONED APPLIANCES ARE STILL DANGEROUS
- **BEFORE YOU DISPOSE OF YOUR FREEZER:** REMOVE THE DOOR TO PREVENT CHILDREN FROM CLIMBING INTO THE UNIT.
- NEVER ALLOW CHILDREN TO OPERATE, PLAY WITH, OR CRAWL INTO THE APPLIANCE.
- NEVER CLEAN FREEZER PARTS WITH FLAMMABLE FLUIDS. THE FUMES CAN CREATE A FIRE HAZARD.
- DO NOT STORE OR USE GASOLINE OR ANY OTHER FLAMMABLE VAPORS AND LIQUIDS IN THE VICINITY OF THIS OR ANY OTHER APPLIANCE. THE FUMES CAN CREATE A FIRE HAZARD.

SAFETY PRECAUTIONS

Read all of the instructions before using this appliance. When using this appliance, always exercise basic safety precautions, including the following:

- Do not use if the power supply cord is damaged. If damaged, it must be replaced by qualified technician/electrician.
- Ensure the upright freezer is unplugged before cleaning or if not in use.
- To clean the upright freezer, use only mild detergents or glass cleaning products. Never use harsh chemicals or solvents.
- Do not use this upright freezer with an extension cord or power strip. Please ensure that the appliance is plugged directly into the electrical outlet.
- Close the upright freezer door immediately after opening.
- Avoid placing the upright freezer near external heat sources or direct sunlight.
- Make sure the upright freezer is placed on a flat, level, and solid surface.
- Make sure that the surface on which the upright freezer is placed is strong enough to hold the unit when it is full.
- The upright freezer is an electrical appliance. To avoid serious injury from electrical shock, do not operate the upright freezer with wet hands, while standing on a wet surface, or while standing in water.
- Do not expose this appliance to rain or excessive moisture.
- Do not turn the upright freezer upside down, on its side, or 45° or more off level.
- Never pull the power cord to disconnect the unit from an outlet. Grasp the plug directly and pull it from the outlet.
- This upright freezer is designed for non-commercial use only.
- Do not plug this upright freezer into the power socket before setup is completed.
- The power cord should be secured behind the unit and should not be left exposed or dangling.
- Do not move this upright freezer without securing the door.
- Performance may vary based on operational and ambient conditions.

ELECTRICAL REQUIREMENTS

DANGER	
Electrical Shock Hazard	
<p>Plug into a grounded 3-prong outlet. Never remove the grounding prong from the plug. We strongly recommend against the use of an extension cord. However, if you must use an extension cord, it is absolutely necessary that it be a UL-listed 3-wire grounding type appliance extension cord having a grounding type plug and outlet and that the electrical rating of the cord be 15 amperes (minimum) and 120 volts. Failure to follow these instructions can result in fire, electrical shock, or death.</p>	

Before you move your upright freezer into its final location, it is important to make sure you have the proper electrical connection:

- A standard electrical supply (115V, 60Hz, 10A), properly grounded in accordance with the National Electrical Code and local codes and ordinances, is required.
- It is recommended that a separate circuit, serving only your upright freezer, be provided. Use receptacles that cannot be turned off by a switch or pull chain.
- The fuse (or circuit breaker) size should be 10 amps.

Recommended grounding method

For your personal safety, this appliance must be grounded. It is equipped with a power supply cord having a 3-prong grounding plug. To minimize possible shock hazard, the cord must be plugged into a mating 3-pronged and grounding-type wall receptacle, grounded in accordance with the National Electrical Code and local codes and ordinances.

Technical Information

Voltage	115V
Frequency	60Hz
Input Power	79W
Refrigerant	R600a
Unit Temperature Range	-11° - 10.4°F
Operating Temperature Range	60 - 85°F
Rated Current	1.1A
Volume	1.1 cu. ft.
Weight	42 lbs.
Unit Dimensions	19.5" H x 18.5" W x 17.25" D
Control Type	Mechanical
Defrost Type	Manual
Lock	Yes
Cabinet Shelves (Total)	1

NOTE: *Technical data and performance information provided for reference only. Specifications are subject to change. Check the rating label on the upright freezer for the most accurate information.*

INSTALLATION



Excessive Weight Hazard

Two or more people should move and install upright freezer. Failure to do so can result in back or other injury.

Remove packaging materials

IMPORTANT: Do not remove any permanent instruction labels or the data label on your upright freezer

Remove tape and glue from your upright freezer before using

- To remove any remaining tape or glue, rub the area briskly with your thumb. Tape or glue residue can also be easily removed by rubbing a small amount of liquid dish soap over the adhesive with your fingers. Wipe with warm water and dry.
- Do not use sharp instruments, rubbing alcohol, flammable fluids, or abrasive cleaners to remove tape or glue. These products can damage the surface of your upright freezer.

Cleaning before use

After you remove all of the packaging materials, clean the inside of your upright freezer before using it. See the "Usage Tips" in the Cleaning and Maintenance section.

INSTALLATION CLEARANCES

Your freezer should be conveniently located for day-to-day use in a dry, well-ventilated room. Do not install the freezer where the temperature will go below 50°F or above 90°F, because it will not maintain proper temperatures. Be sure to install your freezer on a floor strong enough to support it when it is fully loaded.

Free-standing installation

A free-standing installation will allow you to install the upright freezer in any place you desire provided that the required clearance space around the appliance is respected. In every setting, there must be adequate ventilation and access for service. Never install or operate the unit in an enclosed area, such as a closed cabinet.

- Before connecting the upright freezer to the power source, let it stand upright for approximately 4 hours. This will reduce the possibility of a malfunction in the cooling system from handling during transportation.
- To ensure proper service access and ventilation, allow at least 4" clearance at rear, and 1" at top and sides. The installation should allow the upright freezer to be pulled forward for servicing if necessary.
- When installing the upright freezer under a counter, follow the recommended spacing dimensions shown.
- This unit **MUST** be installed in an area protected from the elements, e.g., wind, rain, water spray or drips. Do **NOT** use the upright freezer in an outdoor setting.
- The upright freezer should not be located next to ovens, grills or other high heat resources.
- Too much humidity in the air will cause frost to form quickly on the evaporator requiring more frequent defrosting of the upright freezer.
- The upright freezer must be installed with all electrical requirements followed.
- The unit should be located on a hard and level surface that can support the unit when it is full. It is important for the upright freezer to be level in order to work properly. If needed, you can adjust the height of the upright freezer by turning the feet. See the "Leveling the Upright Freezer" section.
- A standard electrical supply (115 VAC only, 60 Hz, 10A), properly grounded in accordance with National Electrical Code and local codes and ordinances is required.

- **IMPORTANT:** Do not kink or pinch the power supply cord between the upright freezer and a wall or cabinet.

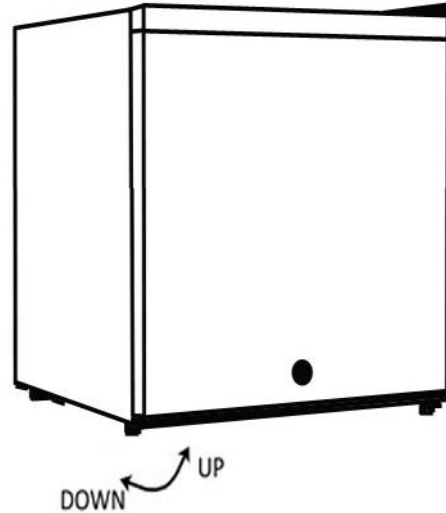
Leveling the upright freezer

It is important for the upright freezer to be leveled in order to work properly. It can be raised or lowered by turning the two feet on the bottom of the machine. If the upright freezer is not leveled during installation, the doors may not close or seal properly; causing cooling, frost, or moisture problems. It is very important that the upright freezer is level in order to function properly.

Note: The leveling foot under the door hinge is smaller than the other leveling foot.

We recommend using a carpenter's level to check the machine.

1. Place a carpenter's level on top of the product to see if the upright freezer is level from front to back and side to side.
2. Adjust the height of the feet as follows:
 - Turn the leveling feet to the right to lower that side of the upright freezer
 - Turn the leveling feet to the left to raise that side of the upright freezer.



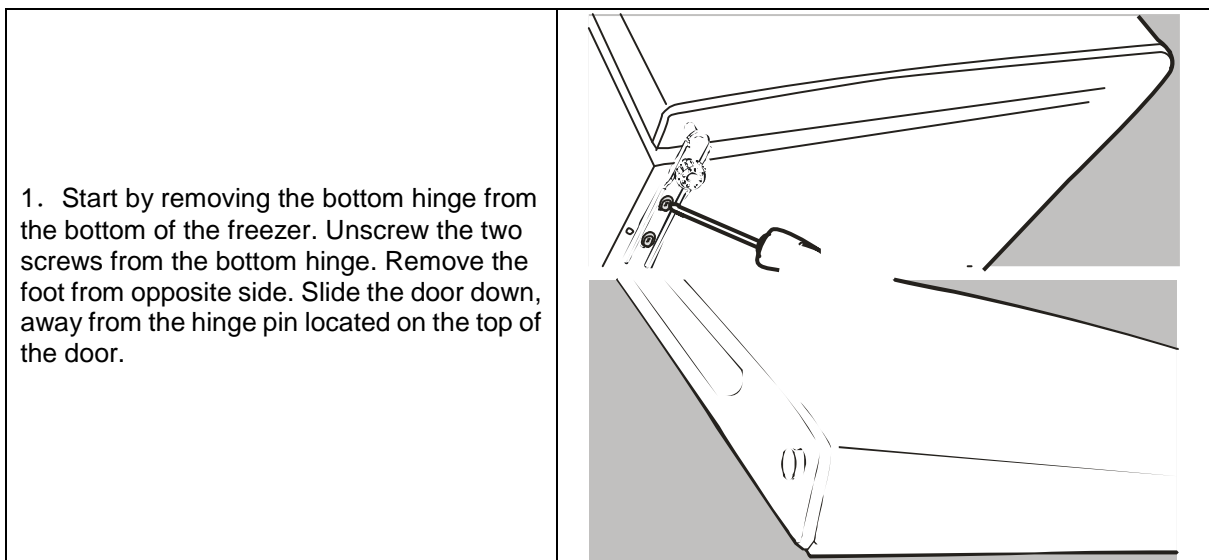
Reversing the Door Swing

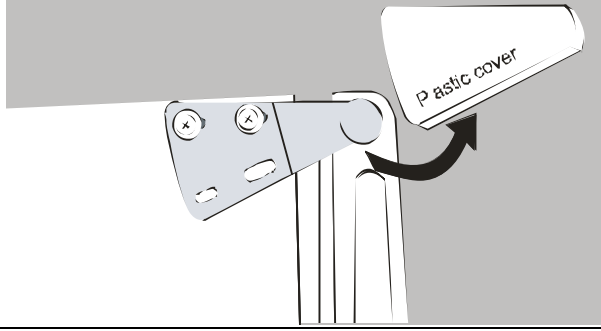
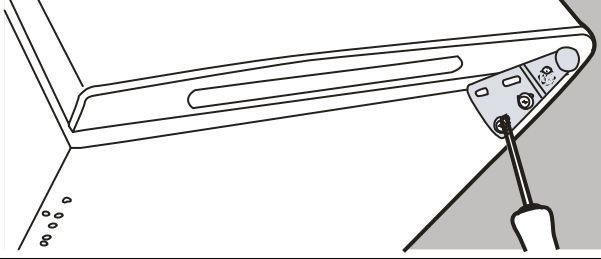
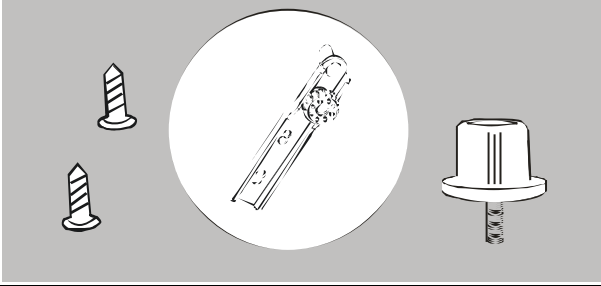
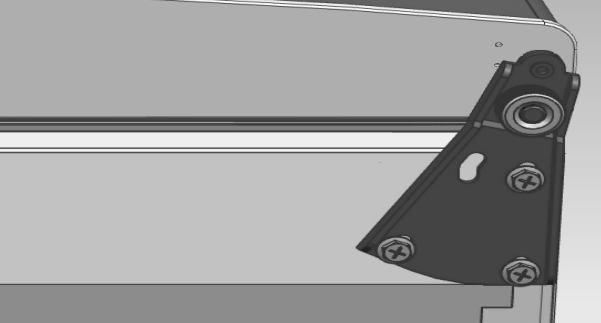
Tools needed: Flathead screwdriver, Phillips screwdriver

Note: To avoid injury to yourself and property, we recommend someone assist you during the door reversal process

This appliance has the capability of the door opening from either the left or right side. Please ensure the appliance is unplugged and empty.

To take the door off, it is necessary to tilt the appliance backward. You should rest the appliance on something solid (e.g. chair) just below the top panel so you can access the bottom of the upright freezer. **DO NOT** lay the appliance completely flat as this may damage the coolant system.



<p>2. Remove the top hinge cover from door first. Then unscrew the two screws from top door hinge and replace on the other side.</p>	
<p>3. To install the top hinge on the left side of the appliance, secure the two screws through the hinge and into the top of the appliance. Slide the door back on to the top hinge. Ensure the door is face up. Replace the top hinge cover on the top hinge by pressing down until it clicks into position.</p>	
<p>4. Screw the bottom hinge into place on the new side. Replace the foot on the other side.</p>	
<p>5. Ensure the door is aligned horizontally and vertically and that the seal is closed on all sides before finally tightening the bottom hinge. Re-adjust the leveling feet.</p>	

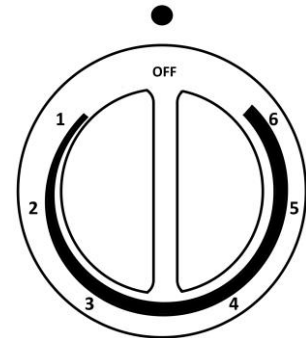
OPERATION

To obtain the best possible results for your upright freezer, it is important that it is operated correctly.

Temperature Control

The temperature in the upright freezer is controlled by the thermostat control knob. The thermostat control knob is located inside the freezer cabinet. To operate this control, turn the thermostat control knob up or down to regulate the temperature inside the upright freezer. The “1 – 6” numbers and “OFF” markings on control knob indicates the different temperature settings. Position “1” being the warmest and position “6” being the coldest.

NOTE: The temperature will not go above freezing even when unit is set to "1" setting.



Normal Sounds

Your new upright freezer may make sounds that are not familiar to you. Hard surfaces like the floor, walls can make the sounds seem louder than they actually are. The following describes the kinds of sounds that might be new to you and what may be making them.

- Rattling noises may come from the flow of the refrigerant, items stored on top of the upright freezer can also make noises.
- The high efficiency compressor may make a pulsating or high-pitched sound.
- As each cycle ends, you may hear a gurgling sound due to the refrigerant flowing in your upright freezer.
- A gentle trickling (water) sound caused by coolant flowing through the pipe.
- Items stored on top of the upright freezer can also make noises.

Store Frozen Food

- When using the upright freezer for the first time or after defrosting, turn the temperature control to set “6” for at least two hours before introducing the food to be stored.
- All frozen food products you purchase should be placed in the upright freezer as soon as possible to avoid the frozen food from defrosting.
- Storage recommendation printed on the packaging of frozen food by the manufacturers should be always be followed.
- The maximum amount of food your freezer is designed to freeze at one time is approximately 3 pounds (1.5 kg) per cubic foot of freezer capacity.

Freezing Fresh Food

Ensure that your freezing operations are carried out under the most hygienic conditions as freezing alone does not sterilize the food. It is advisable to freeze the food by packing it into separate meal portions and not in bulk form. Never put hot or warm food into the upright freezer. Prior to storing frozen food, pack it in plastic bags, aluminum sheets or freezing containers and place into the upright freezer.

Note: *Never put bottled food or drinks in the upright freezer compartment.*

For best performance, leave enough space inside the freezer compartment for air to circulate around the packages.

CLEANING AND MAINTENANCE



Before proceeding with cleaning and maintenance operations, make sure the power line of the unit is disconnected. Do not touch the power plug when your hands are wet. Never unplug the unit by pulling on the plug.

Defrosting

Note: To avoid damaging the freezing compartment wall, never use a sharp or metallic instrument to scrape off frost or separate the frozen food.

Moisture contained in food and air may form a layer of frost inside the unit after a period of use. It is highly recommend that the unit is defrosted when frost becomes ¼” thick. The defrosting process for this unit is operated manually.

For complete defrosting:

1. Turn the temperature control knob to OFF and unplug from wall socket
2. Remove all food and place it in insulated bags, picnic cooler, etc.
3. With the door open, place a pot of hot water to speed the loosening of the frost. Remove large pieces of before they melt
4. Sponge excess water from the bottom of the freezer as it collects to prevent overflowing.
5. After defrosting, clean the inside of the freezer by using a soft cloth to wipe away the remaining ice and water (*see Cleaning Your Freezer*).
6. Once the compartment is wiped and dry, plug in the freezer. Return the temperature control knob to its previous position and return food to the freezer.

NOTE: *Do not use mechanical devices or other means to accelerate the defrosting process. DO NOT pour hot water directly into compartment or heat with hair dryer while defrosting, which may warp the inner case.*

Cleaning Your Upright Freezer

Keep the finish clean

Wipe with a clean cloth lightly dampened with appliance polish wax or mild liquid dishwashing detergent. Dry and polish with a clean, soft cloth. Do not wipe the freezer with a soiled dishwashing cloth or wet towel. Do not use scouring pads, powdered cleaners, bleach, or cleaners containing bleach.

Inside

Clean the inside of your freezer at least once a year. It is recommend that the freezer be unplugged before cleaning. If this is not practical, wring excess moisture out of sponge or cloth when cleaning in the vicinity of switches, lights or controls. Use warm water and baking soda solution—about a tablespoon of baking soda to a quart of water. Rinse thoroughly with water and wipe dry. Do not use cleaning powders or other abrasive cleaners. DO NOT wash removable parts in a dishwasher. An open box of baking soda in the freezer will absorb stale freezer odors. Change the box every three months.

NOTE:

- *Care should be taken in moving the freezer away from the wall. All types of floor coverings can be damaged, particularly cushioned coverings and those with embossed surfaces.*
- *Damp objects stick to cold metal surfaces. DO NOT touch interior metal surfaces with wet or damp hands.*
- *Freezer must be unplugged to avoid electrical hazard from power source when defrosting unit.*

CAUTION

The upright freezer must be thoroughly cleaned if it has been left unused for a long time.

PROLONGED OFF PERIODS

If the upright freezer is not to be used for a long period of time, please disconnect unit from main power supply. Clean and dry the inside as instructed. Leave the door open to prevent any mold and mildew growth.

USAGE TIPS:

- Keep the upright freezer's door closed as much as possible. Try not to open the door too frequently, especially when weather is hot and humid
- Ensure that the unit has sufficient clearance for ventilation, especially behind the unit.
- For normal household use, it is recommended to set the thermostat in the middle setting.
- Before loading the upright freezer with an item, make sure they are cooled to ambient temperature.
- Ice and frost layer increase energy consumption, defrost when frost is ¼" thick.

PREPARING FOR VACATION

To maintain freezer in operation during vacations, be sure your house power is not turned off. For extended vacations or absences, you may prefer to move your frozen foods to a storage locker temporarily. If your freezer is to be left empty, disconnect power cord plug from wall outlet. To prevent formation of odors, place open box of baking soda in the freezer and leave freezer door open.

IN CASE OF EXTENDED POWER FAILURE

Keep freezer door closed. Your freezer will keep food frozen for 24 hours provided warm air is not admitted. If freezer is out of operation for 24 hours or more, add dry ice. Leave ice in large pieces. Add more ice as required.

NOTE: *Handling of dry ice can cause freezing of the hands—gloves or other protection is recommended. If dry ice is not available, move food to a frozen food locker temporarily—until power is restored.*

ENERGY SAVING TIPS

The freezer should be located in the coolest area of the room, away from heat-producing appliances or heating ducts; and out of direct sunlight. Let hot foods cool to room temperature before placing in the freezer. Overloading the freezer forces the compressor to run longer. Foods that freeze too slowly may lose quality or spoil. Be sure to wrap foods properly, and wipe containers dry before placing them in the freezer; this cuts down on frost buildup inside the freezer.

Freezer shelves should not be lined with aluminum foil, wax paper or paper toweling. Liners interfere with cold air circulation, making the freezer less efficient. Organize and label food to reduce door openings and extended searches. Remove as many items as needed at one time, and close the door as soon as possible.

TROUBLESHOOTING

Many common upright freezer problems are easily resolved. Try the troubleshooting suggestions below to see if the problems can be resolved before having to contact the service department.

Problem	Possible Cause	Probable Correction
The machine won't operate.	<ul style="list-style-type: none"> The upright freezer is unplugged The fuse is blown The upright freezer power switch is OFF 	<ul style="list-style-type: none"> Plug the upright freezer in Replace fuse Turn the upright freezer power on by turning the temperature control knob
Noise during operation	<ul style="list-style-type: none"> The feet are not leveled and locked Certain sounds are normal 	<ul style="list-style-type: none"> Level and lock the feet. See Leveling the upright freezer See "Normal Sounds"
The upright freezer does not cool sufficiently	<ul style="list-style-type: none"> Door being opened frequently Door left open for a while Not enough adequate clearance Upright Freezer is overfilled Ambient temperature is high 	<ul style="list-style-type: none"> Refrain from opening the upright freezer door recurrently Make sure to close upright freezer door Follow recommended clearance measurements. See Installation Clearances
Foods defrosting	<ul style="list-style-type: none"> Unit is OFF Freezer is unplugged The fuse is blown/circuit breaker is tripped Door is open Too frequent or too long door openings 	<ul style="list-style-type: none"> Move the control to a temperature setting Push the plug completely into the outlet Replace fuse or reset the breaker Check to see if an object is holding the door open
Excessive frost buildup	<ul style="list-style-type: none"> Door/lid left open too frequent or too long door openings High humidity 	<ul style="list-style-type: none"> Check to see if an object is holding the door open
Freezer external surface is warm	<ul style="list-style-type: none"> The external freezer walls can be as much as 30°F warmer than room temperature 	<ul style="list-style-type: none"> This is normal while the compressor works to transfer heat from inside the freezer cabinet
Moisture forms on inside freezer walls	<ul style="list-style-type: none"> Weather is hot and humid, which increases internal rate of frost buildup Door may not be seating properly Door is kept open too long, or is opened too frequently 	<ul style="list-style-type: none"> This is normal Check door installation Open the door less often
Odors in freezer	<ul style="list-style-type: none"> Interior needs to be cleaned Food with strong odors are in the freezer 	<ul style="list-style-type: none"> Clean interior with sponge, warm water, and baking soda

The following characteristics are normal and should not be looked upon as a problem:

- A gentle trickling (water) sound caused by coolant flowing through the pipe.
- Compressor operating at high temperature.

ONE YEAR LIMITED WARRANTY

This Whynter Upright Freezer is warranted, to the original owner within the 48 continental states, for one year from the date of purchase against defects in material and workmanship under normal use and service. Should your upright freezer prove defective within one year from the date of purchase, return the defective part or unit, freight prepaid (within two months of purchase; after two months to one year, customer will be responsible for freight cost to Whynter's service department), along with an explanation of the claim to Whynter LLC. Please package the upright freezer carefully in its original packaging material to avoid damage in transit. Please retain the original box and packaging material. Under this warranty, Whynter will repair or replace any parts found defective. This warranty is not transferable. After the expiration of the warranty, the cost of labor and parts will be the responsibility of the original owner of the unit.

THIS WARRANTY DOES NOT COVER:

- Acts of God, such as fire, flood, hurricanes, earthquakes and tornadoes.
- Damage, accidental or otherwise, to the upright freezer while in the possession of a consumer not caused by a defect in material or workmanship;
- Damage caused by consumer misuse, tampering, or failure to follow the care and special handling provisions in the instructions.
- Damage to the finish of the case, or other appearance parts caused by wear.
- Damage caused by repairs or alterations to the product by anyone other than authorized by the manufacturer.
- Freight and Insurance cost for the warranty service.

DISCLAIMER OF IMPLIED WARRANTIES; LIMITATION OF REMEDIES

CUSTOMER'S SOLE AND EXCLUSIVE REMEDY UNDER THIS LIMITED WARRANTY SHALL BE PRODUCT REPAIR OR REPLACEMENT AS PROVIDED HEREIN. CLAIMS BASED ON IMPLIED WARRANTIES, INCLUDING WARRANTIES OF MERCHANTABILITY OR FITNESS FOR A PARTICULAR PURPOSE, ARE LIMITED TO ONE YEAR OR THE SHORTEST PERIOD ALLOWED BY LAW, BUT NOT LESS THAN ONE YEAR. WHYNTER SHALL NOT BE LIABLE FOR CONSEQUENTIAL OR INCIDENTAL DAMAGES SUCH AS PROPERTY DAMAGE AND INCIDENTAL EXPENSES RESULTING FROM ANY BREACH OF THIS WRITTEN LIMITED WARRANTY OR ANY IMPLIED WARRANTY. SOME STATES AND PROVINCES DO NOT ALLOW THE EXCLUSION OR LIMITATION OF INCIDENTAL OR CONSEQUENTIAL DAMAGES, OR LIMITATIONS ON THE DURATION OF IMPLIED WARRANTIES, SO THESE LIMITATIONS OR EXCLUSIONS MAY NOT APPLY TO YOU. THIS WRITTEN WARRANTY GIVES YOU SPECIFIC LEGAL RIGHTS. YOU MAY ALSO HAVE OTHER RIGHTS THAT VARY FROM STATE TO STATE.

To obtain service or information, contact
Whynter via email at service@whynter.com or call
866-WHYNTER.

Product contents and specifications may change without notice.
Copyright © 2014 Whynter LLC
www.Whynter.com