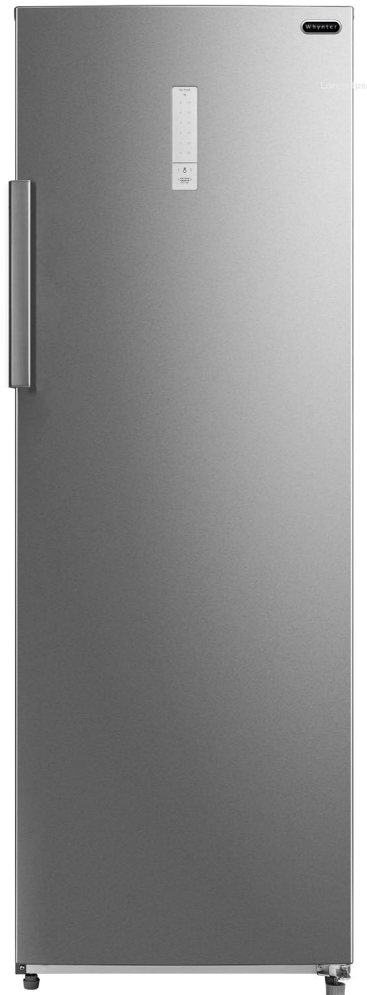




## Whynter 8.3 cu.ft. Energy Star Digital Upright Stainless Steel Deep Freezer/Refrigerator

Model # : UDF-0831SS

### INSTRUCTION MANUAL



Congratulations on your new Whynter product. To ensure proper operation, please read this Instruction Manual carefully before using this product. Keep this manual in a safe place for future reference.

## Table of Contents

---

	<b>PAGE</b>
Safety Precautions	<b>3 - 4</b>
Parts and Accessories	<b>5</b>
Product Features / Technical Data	<b>6</b>
Installation	<b>7 - 8</b>
Door Orientation Reversal Instructions	<b>9</b>
Operation and Controls	<b>10 - 12</b>
Cleaning and Maintenance	<b>13 - 14</b>
Troubleshooting	<b>15 - 16</b>
Warranty Information	<b>17</b>

---

## Safety Precautions

### WARNING

TO REDUCE THE RISK OF FIRE, ELECTRICAL SHOCK, OR INJURY WHEN USING YOUR APPLIANCE, FOLLOW THESE BASIC PRECAUTIONS:

- Read all instructions before using the appliance.
- Never clean appliance parts with flammable fluids. The fumes can create a fire hazard. Do not use an excessively wet cloth, industrial solvents, and oil-based products to clean this appliance.
- To clean the upright refrigerator/deep freezer, use only mild detergents. Never use harsh chemicals or solvents.
- Do not store or use gasoline or any other flammable vapors and liquids in the vicinity of this or any other appliance. The fumes can create a fire hazard.
- Do not abuse, sit on, or stand on the appliance.
- This appliance is not intended for use by persons (including children with reduced physical, sensory or mental capabilities, or lack of experience and knowledge, unless they have been given supervision or instruction concerning use of the appliance by a person responsible for their safety)
- Children should be supervised to ensure that they do not play with the appliance.
- Ensure the upright refrigerator/deep freezer is unplugged before cleaning or if not in use
- If the power cord is damaged, it must be replaced by the manufacturer or its service agent or a similarly qualified person in order to avoid a hazard.
- Use the upright refrigerator/deep freezer only for its intended function. This appliance is designed for household, non-commercial use only. Any other use will void the warranty.
- Do not plug this upright refrigerator/deep freezer into the power source before setup is completed.
- An empty upright refrigerator/deep freezer can be dangerous for children and small animals. If disposing of the upright refrigerator/deep freezer, remove gaskets, latches, and the entire upright refrigerator/deep freezer door from your unused appliance so that children or small animals cannot be trapped inside.
- The upright refrigerator/deep freezer is an electrical appliance. To avoid serious injury from electrical shock, do not operate the upright refrigerator/deep freezer with wet hands, while standing on a wet surface, or while standing in water.
- To avoid the risk of shock, the product should never be used in bathrooms, shower rooms, or in any other steamy or wet areas.
- During installation, the power supply must not be excessively or dangerously bent or flattened.
- Do not tamper with controls.
- Make sure the power plug is placed fully and firm into the power source. If the wall receptacle you intend to use is not adequately grounded or protected by a time delay fuse or circuit breaker, have a qualified electrician install an outlet that is appropriate to local electrical codes and requirements.
- Do not use multiple socket or an extension cord as it may overheat and become a risk of fire. Please ensure that the upright refrigerator/deep freezer is plugged directly into the electrical outlet.
- The cord should be secured behind the unit and should not be left exposed or dangling
- Make sure the power plug is clean before usage.
- Make sure hands are dry when connecting the power plug. The appliance is equipped with a three-prong grounded plug on the power cord for your protection. Never modify, remove or attempt to repair the power plug yourself.
- Never pull the power cord to disconnect the unit from an outlet. Grasp the plug directly and pull it from the outlet.
- Never lift or carry the upright refrigerator/deep freezer by the power cord.
- Keep the power cord away from heated surfaces.
- Do not repair, disassemble and/or modify the appliance by yourself.
- Always turn off the appliance when cleaning or transporting.

## Safety Precautions

- Transport the appliance in an upright position only.
- Always place the appliance on even and hard and level surface.
- Close the freezer door immediately after putting in any items to maintain the internal temperature of the unit.
- Avoid placing the freezer near external heat sources or direct sunlight.
- Make sure the freezer is placed on a flat, level, and solid surface.
- Place your appliance on a hard and level floor that is strong enough to support it when it is fully loaded.
- Do not turn the freezer upside down, on its side, or 45° or more off level.
- Keep fingers out of the “pinch point” areas; clearances between the doors and between the doors and cabinet are necessarily small. Be careful closing doors when children are in the area
- Do not touch the cold surfaces in the freezer compartment when hands are damp or wet, skin may stick to these extremely cold surfaces
- Do not move this freezer without securing the door in a closed and latched position.
- Do not refreeze frozen foods which have thawed completely
- Performance may vary based on operational and ambient conditions.

### **ELECTRICAL CONNECTION**

The power cord of this appliance is equipped with a 3-prong (grounding) plug which mates with a standard 3-prong (grounding) wall outlet to minimize the possibility of electric shock hazard from this appliance. Have the wall outlet and circuit checked by a qualified electrician to make sure the outlet is properly grounded. Where a standard 2-prong wall outlet is encountered, it is your personal responsibility and obligation to have it replaced with a properly grounded 3-prong wall outlet. Do not use an adapter. The freezer should always be plugged into its own individual electrical outlet which has a voltage rating that matches the rating plate.

A 115 Volt AC, 60 Hz, 15- or 20-amp fused, grounded electrical supply is required. This provides the best performance and also prevents overloading house wiring circuits which could cause a fire hazard from overheated wires. Never unplug your freezer by pulling on the power cord. Always grip plug firmly and pull straight out from the outlet. Repair or replace immediately all power cords that have become frayed or otherwise damaged. Do not use a cord that shows cracks or abrasion damage along its length or at either end. When moving the freezer away from the wall, be careful not to roll over or damage the power cord

### **EXTENSION CORD**

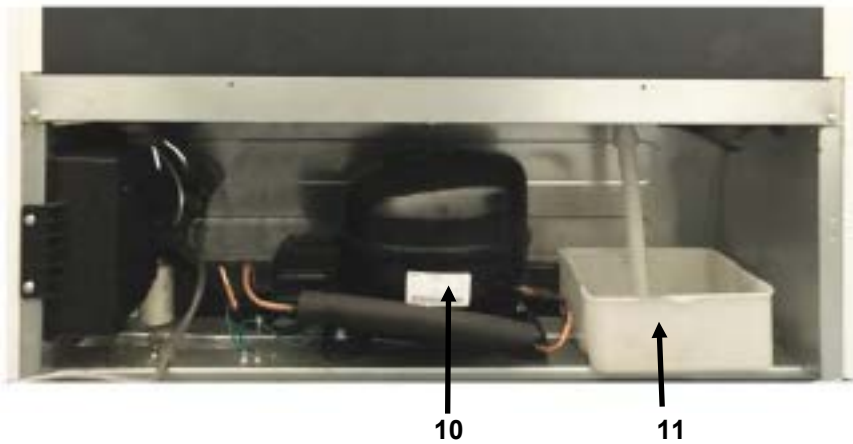
Because of potential safety hazards, it is strongly recommended that you do not use an extension cord with this appliance. However, if you must use an extension cord, it is absolutely necessary that it be a UL/CUL-Listed, 3-wire grounding type appliance extension cord having a grounding type plug and outlet and that the electrical rating of the cord be 15 amperes and 115 volts. Failure to follow these instructions can result in fire, electric shock, or death.

***THE MANUFACTURER DISCLAIMS ANY RESPONSIBILITY IF THE ABOVE INSTRUCTIONS ARE NOT FOLLOWED.***

# Parts and Accessories



## BOTTOM REAR SECTION



1. Door Handle	5. Door Hinge Assembly	9. Slide-out Wire Basket (1)
2. Control Panel	6. Door Handle	10. Compressor
3. Leveling Leg	7. Air Outlet	11. Drip tray
4. Leveling Leg	8. Sliding Cabinet Shelves (6)	

## Product Features / Technical Data

Get the storage space and features you need with the stainless steel Whynter 8.3 cu.ft. Energy Star Digital Upright upright Deep Freezer / Refrigerator. With its powerful fan-circulated compressor, it ensures the precise airflow for efficient temperature distribution. Additionally, the convenient frost-free design ends the need to manually defrost this upright refrigerator/deep freezer.

- Stainless steel door with a textured steel exterior
- Operates as a refrigerator or freezer
- Powerful compressor cooling
- “Quick Freeze” mode rapidly cools to -11°F
- Electronic temperature control - easy temperature management, with an LED display that can read in Celsius or Fahrenheit
- 6 sliding cabinet shelves and 1 sliding bulk storage basket - offers versatility and flexibility to organize your favorite foods for quick and easy access
- Freestanding setup (clearance around the unit is needed)

### TECHNICAL DATA

<b>MODEL:</b>	<b>UDF-0831SS</b>
Storage Volume	8.3 cu. ft.
Temperature Control Range	Freezer Mode: -11°F - 10°F ( -24°C ~ -12°C ) Refrigerator Mode: 35°F - 46°F ( 2°C ~ 8°C)
Net Weight	123.5 lbs
Gross Weight	138.9 lbs
Unit Dimensions	23.4" W x 24.9" D x 67.8" H
Packaging Dimensions	25.9" W x 27.1" D x 70.4" H
Refrigerant	R600A
Noise Level	≤42dB
Certification	CSA Certified and Energy Star rated
UPC	850014459048

## Installation



### Excessive Weight Hazard

Two or more people should move and install upright refrigerator/deep freezer. Failure to do so can result in back or other injury.

### **REMOVE PACKAGING MATERIALS**

IMPORTANT: Do not remove any permanent instruction labels or the data label on your upright refrigerator/deep freezer

### **REMOVE TAPE AND GLUE FROM YOUR UPRIGHT FREEZER BEFORE USING**

- To remove any remaining tape or glue, rub the area briskly with your thumb. Tape or glue residue can also be easily removed by rubbing a small amount of liquid dish soap over the adhesive with your fingers. Wipe with warm water and dry.
- Do not use sharp instruments, rubbing alcohol, flammable fluids, or abrasive cleaners to remove tape or glue. These products can damage the surface of your upright refrigerator/deep freezer.

### **CLEANING BEFORE USE**

- After you remove all of the packaging materials, clean the inside of your upright refrigerator/deep freezer before using it.

---

### **INSTALLATION CLEARANCES**

Your upright refrigerator/deep freezer should be conveniently located for day-to-day use in a dry, well-ventilated room. Do not install the upright refrigerator/deep freezer where the temperature will go below 50°F or above 90°F, because it will not maintain proper temperatures. Be sure to install your upright refrigerator/deep freezer on a floor strong enough to support it when it is fully loaded.

### **FREESTANDING INSTALLATION**

A freestanding installation will allow you to install the upright refrigerator/deep freezer in any place you desire provided that the required clearance space around the appliance is respected. In every setting, there must be adequate ventilation and access for service. Never install or operate the unit in an enclosed area, such as a closed cabinet.

- Before connecting the upright refrigerator/deep freezer to the power source, let it stand upright for approximately 4 hours. This will reduce the possibility of a malfunction in the cooling system from handling during transportation.
- The normal operation of the upright refrigerator/deep freezer depends on heat radiation from the condenser. Allow at least 6 inches of space between the back and sides of the appliance, which allows the proper air circulation to cool the compressor and condenser. The installation should allow the upright refrigerator/deep freezer to be pulled forward for servicing if necessary.
- This unit **MUST** be installed in an area protected from the elements, e.g., wind, rain, water spray or drips. Do **NOT** use the upright refrigerator/deep freezer in outdoor setting.
- The upright refrigerator/deep freezer should not be located next to ovens, grills or other high heat re-sources.
- Too much humidity in the air will cause frost to form quickly on the evaporator requiring more frequent defrosting of the upright refrigerator/deep freezer.
- Avoid locating the appliance in area that may be exposed to excessive moisture.
- The upright refrigerator/deep freezer must be installed with all electrical requirements followed.
- The unit should be located on a hard and level surface that can support the unit when it is full. It is important for the upright refrigerator/deep freezer to be level in order to work properly. If needed, you can adjust the height of the upright refrigerator/deep freezer by turning the feet. See the “Leveling the Upright Freezer” section.

## Installation

- A standard electrical supply (115 V AC only, 60 Hz, 10A), properly grounded in accordance with National Electrical Code and local codes and ordinances is required.
- **IMPORTANT:** Do not kink or pinch the power supply cord between the upright refrigerator/deep freezer and wall or cabinet.

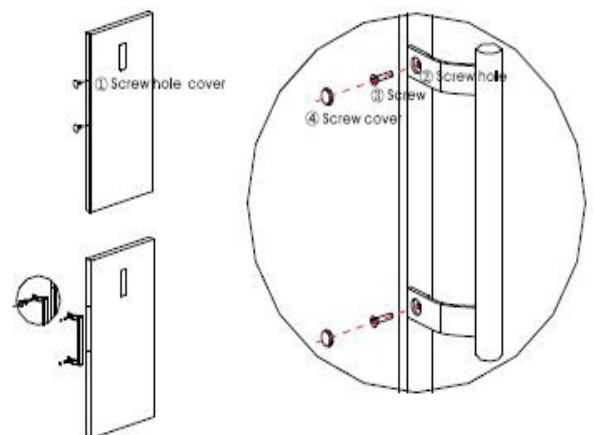
### **PLACEMENT OF YOUR APPLIANCE**

- Position the upright refrigerator/deep freezer in a dry and well-ventilated place. Keep the upright refrigerator/deep freezer away from direct sunlight, heaters, and corrosive gases or chemicals.
- Clean the interior surface with lukewarm water using a soft cloth.
- Place your appliance on a hard and level floor that is strong enough to support it when it is fully loaded.
- The upright refrigerator/deep freezer can be easily moved from one room to another by using the pre-installed wheel rollers.  
If the appliance is needed to be lifted, two or more people should move upright refrigerator/deep freezer. Failure to do so can result in back or other injury.
- We do not recommend installing the appliance on carpet.

### **DOOR INSTALLATION**

This appliance includes a door handle that is not required for operation. To install the handle, please follow the instructions below:

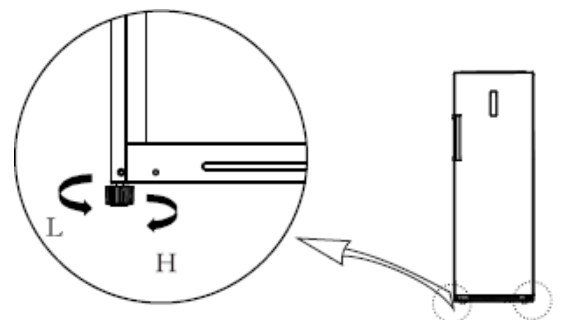
1. Install the two screws onto the door holes as shown. Make sure that the screws are securely installed.
2. Carefully line up the door handle to the installed screws.
3. Secure the door handle in place by tightening the pre-installed recessed screws using the wrench provided.



### **LEVELING THE UPRIGHT FREEZER**

It is important for the upright refrigerator/deep freezer to be leveled in order to work properly. It can be raised or lowered by turning the two feet on the bottom of the machine. If the upright refrigerator/deep freezer is not leveled during installation. The doors may not close or seal properly, causing cooling, frost, or moisture problems. It is very important that the upright refrigerator/deep freezer is at level in order to function properly.

**NOTE:** This upright refrigerator/deep freezer comes with 2 leveling legs and 2-wheel rollers



We recommend using a carpenter's level to check the machine.

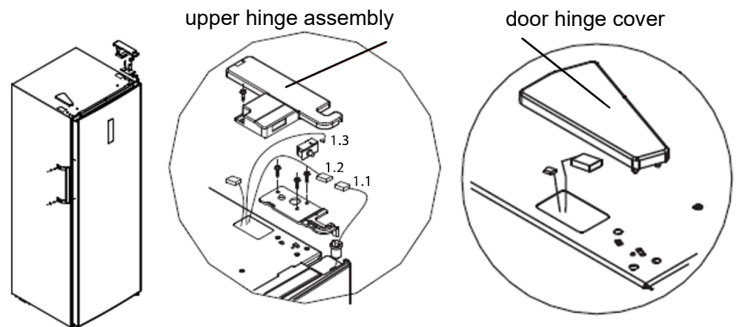
1. Place a carpenter's level on top of the product to see if the upright refrigerator/deep freezer is level from front to back and side to side.
2. Adjust the height of the feet as follows:
  - Turn the leveling feet to the right to lower that side of the upright refrigerator/deep freezer
  - Turn the leveling feet to the left to raise that side of the upright refrigerator/deep freezer



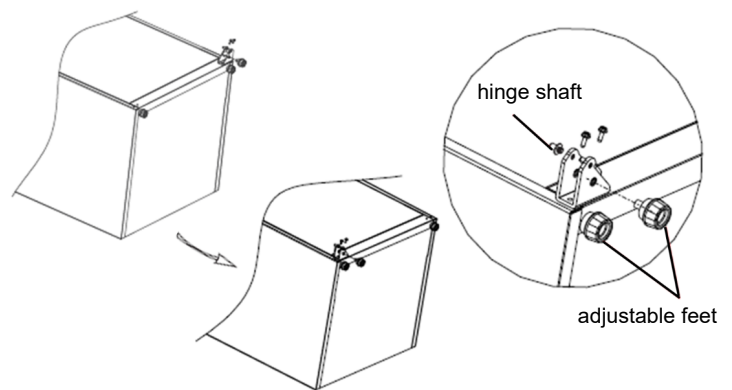
## Door Orientation Reversal Instructions

This appliance has the capability of the door opening from either the left or right side. The appliance is delivered to you with the door opening from the left side. Should you desire to reverse the opening direction, please follow the reversal instructions:

1. Turn off the refrigerator.
2. **LEFT SIDE:** Remove the door hinge cover and screws.  
**RIGHT SIDE:** Remove the door hinge cover, screws, upper hinge assembly, and hinge plate. Unplug the wiring connectors (See 1.1,1.2,1.3).

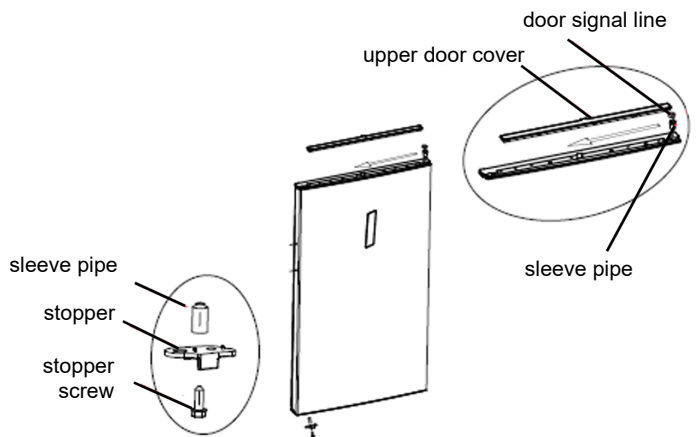


3. Remove right bottom hinge assembly (hinge shaft and adjustable feet) disassemble the right bottom hinge assembly and assemble on the other side of refrigerator.



4. Remove the upper door cover. Move the hinge assembly and door signal line to the other side. Reinstall the upper door cover. Remove the right door stopper, sleeve pipe from the right bottom of door.

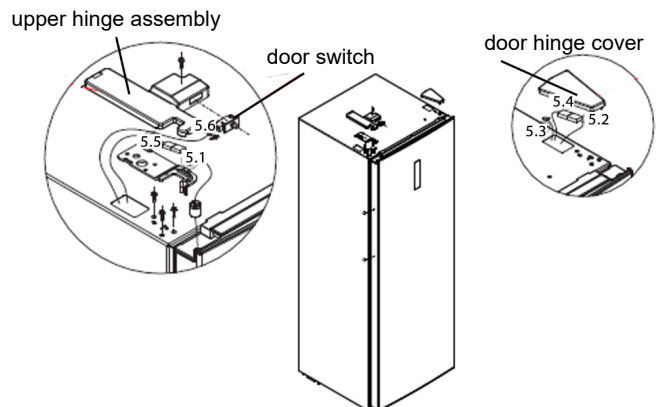
Insert the sleeve pipe into hinge hole of left bottom of door. Install the left door stopper (see accessory bag) at the bottom left of door. Set aside the right door stopper for future use.



5. Install the left upper hinge assembly and secure the door on bottom hinge. Connect the door signal line (5.5) with signal line terminal (5.1).

Connect the signal line terminal (5.6) to the door switch and signal line terminal (5.2) with signal line terminal (5.4). Install door hinge cover.

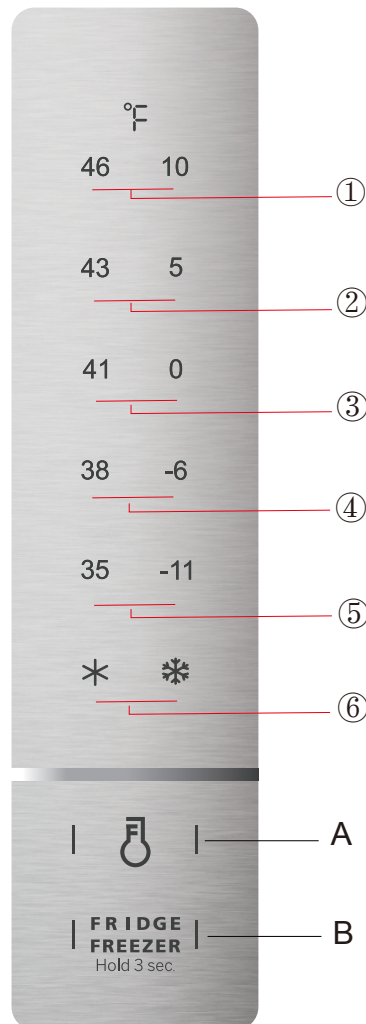
6. Remove the door handle screw covers and screws. Install the door handle on the other side of the door and reinstall the screws and screw covers to finish.



# Operation and Controls

## **CONTROL PANEL GUIDE**

To obtain the best possible results for your upright refrigerator/deep freezer, it is important that you operate it properly. Your upright refrigerator/deep freezer uses a electronic digital control system for adjusting the thermostat.



### 1. Key

- A: Temperature Setting Button
- B: Fridge / Freezer Switch Button

### 2. Temperature Icons

- Setting 1: The Setting Temperature is 46°F or 10°F
- Setting 2: The Setting Temperature is 43°F or 5°F
- Setting 3: The Setting Temperature is 41°F or 0°F
- Setting 4: The Setting Temperature is 38°F or -6°F
- Setting 5: The Setting Temperature is 35°F or -11°F
- Setting 6: Quick Cooling or Quick Freezing

### 3. When the fridge power is on:

All temperature icons illuminate within 3 seconds after powering on. When powering on for the first time, the default set temperature is 0°F. After the initial start up, when powering on, the unit will operate in accordance with the set temperature the unit was set at previously prior to turning off.

## Operation and Controls

In the occurrence of a failure, the corresponding icons will flash the error codes on the display. The errors are shown as follows:

Refrigerator:

Error Code	Error Description	Display
E1	Temperature sensor error	Icon" ❄️ & icon"35" illuminate at same time
E5	Defrosting sensor error	Icon" ❄️ & icon"38" illuminate at same time
E6	Communication error	Icon"35" & Icon"41" illuminate at same time
E7	Ambient temperature sensor error	Icon" ❄️" & Icon"41" illuminate at same time
E10	Display button stuck issue	Icon"35"& Icon" 38" illuminate at same time

Freezer:

Error Code	Error Description	Display
E1	Temperature sensor error	Icon" ❄️ & Icon"-11" illuminate at same time
E5	Defrosting sensor error	Icon" ❄️ " & Icon"-6" illuminate at same time
E6	Communication error	Icon"-11" & Icon"0" illuminate at same time
E7	Ambient temperature sensor error	Icon" ❄️ " & Icon"0" illuminate at same time
E10	Display button stuck issue	Icon"-11"& Icon" -6" illuminate at same time

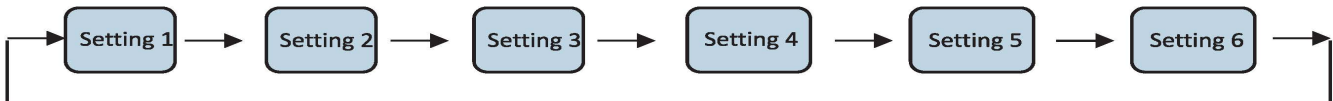
Note: The unit will display the temperature when there were no errors detected.

### Fridge/Freezer conversion

Press the **FRIDGE** / **FREEZER** button for 3 seconds to change from refrigerator or freezer and the corresponding temperature icons will illuminate.

### Temperature Setting

The temperature setting will change once the **TEMP** button is pressed. The unit will then run according to the new temperature setting after 15 seconds



### Quick Cooling Mode

When in refrigerator mode, press the **TEMP** button until it illuminates. In quick cooling mode, the refrigerator temperature will be set to 35°F. This mode will automatically shut off after running for 150 minutes or when the temperature or mode has been manually changed.

### Quick Freezing Mode

When in refrigerator mode, press the **TEMP** button until it illuminates. In quick freeze mode, the freezer temperature will be set to -11 °F. This mode will automatically shut off after running for 24 hours or when the temperature or mode has been manually changed.

## Operation and Controls

### **NORMAL SOUNDS**

Your new upright refrigerator/deep freezer may make sounds that are not familiar to you. Hard surfaces like the floor, walls can make the sounds seem louder than they actually are. The following describes the kinds of sounds that might be new to you and what may be making them.

- Rattling noises may come from the flow of the refrigerant or the water line, items stored on top of the upright refrigerator/deep freezer can also make noises.
- The surface temperature of the compressor can reach 158 - 194°F when running.
- The high efficiency compressor may make a pulsating or high-pitched sound.
- The noise emitted by the cooling fan on the condenser is a normal function.
- It is normal for the fan in the power supply to run all the time.
- As each cycle ends, you may hear a gurgling sound due to the refrigerant flowing in your upright refrigerator/deep freezer.

### **STORING FROZEN FOOD**

For safe food storage, allow 4 hours for the upright refrigerator/deep freezer to cool down completely. The upright refrigerator/deep freezer will run continuously for the first several hours. Foods that are already frozen may be placed in the upright refrigerator/deep freezer after the first few hours of operation.

- Unfrozen food should NOT be placed until it has operated for 4 hours. Allow several hours after each one-step adjustment for the temperature to stabilize.
- When loading, freeze only 3 pounds of fresh food per cubic foot of space at a time. Distribute packages evenly throughout the cabinet.
- Storage recommendation printed on the packaging of frozen food by the manufacturers should be always be followed.

### **FREEZING FRESH FOOD**

Ensure that your freezing operations are carried out under the most hygienic conditions as freezing alone does not sterilize the food.

- It is advisable to freeze the food by packing it into separate meal portions and not in bulk form. Never put hot or warm food stuffs into the upright refrigerator/deep freezer.
- Prior to storing the frozen food, pack it in plastic bags, aluminum sheets or freezing containers and place into the upright refrigerator/deep freezer.
- Fresh foods should not be stored together with frozen foods.
- When the temperature is set below 32°F, do not keep glass-bottled drinks such as beer and lemonade or soda cans, as the glass and cans might shatter.
- Do not use this deep freezer as a refrigerator when the ambient temperature is below 41°F as food can become frozen.

**Note:** For best performance, leave enough space inside the upright refrigerator/deep freezer cabinet for air to circulate around the packages.

## Cleaning and Maintenance

### **NO DEFROSTING**

You never have to defrost your upright refrigerator/deep freezer. It has been preset at the factory to defrost itself automatically. During defrosting, a slight noise may be noticed if the door is opened while the upright refrigerator/deep freezer is in the automatic defrosting cycle.

### **CLEANING**

#### **Outside/Exterior**

- Wipe with a clean cloth lightly dampened with appliance polish wax or mild liquid dishwashing detergent. Dry and polish with a clean, soft cloth.
- Do not wipe the upright refrigerator/deep freezer with a soiled dishwashing cloth or wet towel. Do not use scouring pads, powdered cleaners, bleach, or cleaners containing bleach.

#### **Inside**

- Use warm water and baking soda solution—about a tablespoon of baking soda to a quart of water. Rinse thoroughly with water and wipe dry.
- Do not use cleaning powders or other abrasive cleaners. An open box of baking soda in the upright refrigerator/deep freezer will absorb stale freezer odors. Change the box every three months.
- An open box of baking soda in the upright refrigerator/deep freezer will absorb stale odors. Change the box every three months.

### **PROLONGED OFF PERIODS**

If the upright refrigerator/deep freezer is not to be used for a long period of time, disconnect upright refrigerator/deep freezer from main power supply. Clean and dry the inside as instructed. Leave the convertible refrigerator/deep freezer door open to prevent any mold and mildew growth.

#### **Usage Tips:**

- Keep the upright refrigerator/deep freezer's door closed as much as possible. Try not to open the door too frequently, especially when weather is hot and humid
- Ensure that the unit has sufficient clearance for ventilation
- For normal household use, it is recommended to set the thermostat in the middle setting.
- Before loading the upright refrigerator/deep freezer with an item, make sure they are cooled to ambient temperature.
- Ice and frost layer increase energy consumption, defrost when frost is 3-5 mm thick.

### **PREPARING FOR VACATION**

To maintain upright refrigerator/deep freezer in operation during vacations, be sure your house power is not turned off. For extended vacations or absences, you may prefer to move your frozen foods to a storage locker temporarily. If your upright refrigerator/deep freezer is to be left empty, disconnect power cord plug from power source. To prevent formation of odors, place open box of baking soda in upright refrigerator/deep freezer and leave upright refrigerator/deep freezer door open.

### **IN CASE OF EXTENDED POWER FAILURE**

- Keep upright refrigerator/deep freezer door closed. This will keep food frozen or refrigerated for up to 24 hours provided warm air is not admitted.
- If upright refrigerator/deep freezer is out of operation for 24 hours or more, add dry ice. Leave ice in large pieces. Add more ice as required.
- If dry ice is not available, move food to frozen locker temporarily—until power is restored

*NOTE: Handling of dry ice can cause freezing of the hands—gloves or other protection is recommended.*

### **ENERGY SAVING TIPS**

The upright refrigerator/deep freezer should be located in the coolest area of the room, away from heat-producing appliances or heating ducts, and out of direct sunlight. Let hot foods cool to room temperature before placing in the upright refrigerator/deep freezer. Overloading the upright refrigerator/deep freezer forces the compressor to run longer. Foods that freeze too slowly may lose quality or spoil. Be sure to wrap foods properly, and wipe containers dry before placing them in the upright refrigerator/deep freezer. This cuts down on frost buildup inside the upright refrigerator/deep freezer.

Freezer shelves should not be lined with aluminum foil, wax paper or paper toweling. Liners interfere with cold air circulation, making the upright refrigerator/deep freezer less efficient. Organize and label food to reduce door openings and extended searches. Remove as many items as needed at one time, and close the door as soon as possible.

## Troubleshooting

Many common upright refrigerator/deep freezer problems are easily resolved. Try the troubleshooting suggestions below to see if the problems can be resolved before having to contact the service department.

<b>Problem</b>	<b>Possible Causes</b>	<b>Solutions</b>
The machine won't operate	<ul style="list-style-type: none"> <li>• The upright refrigerator/deep freezer is unplugged</li> <li>• The voltage is not in the correct range</li> <li>• Too many appliances running form the same power circuit</li> </ul>	<ul style="list-style-type: none"> <li>• Push the plug completely into the power source</li> <li>• Make sure that the upright refrigerator/deep freezer runs on a dedicated power source that can support the maximum power consumption of the upright refrigerator/deep freezer</li> <li>• Run the upright refrigerator/deep freezer on a dedicated power source</li> </ul>
Noise during operation	<ul style="list-style-type: none"> <li>• The legs are not leveled</li> <li>• Certain sounds are normal</li> </ul>	<ul style="list-style-type: none"> <li>• Make sure legs are properly installed</li> <li>• See "Normal Sounds"</li> </ul>
The compressor runs for 1 to 5 minutes and stops	<ul style="list-style-type: none"> <li>• The voltage is not in the correct range</li> </ul>	<ul style="list-style-type: none"> <li>• Unplug and restart when the power is normal</li> </ul>
The compressor runs but the inner liner does not get very cold	<ul style="list-style-type: none"> <li>• The ambient temperature is too high</li> <li>• The system is blocked</li> </ul>	<ul style="list-style-type: none"> <li>• If temperature is higher than 90°F, the unit need longer to cool to the set temperature</li> <li>• Contact Whynter Service Department via email at <a href="mailto:service@whynter.com">service@whynter.com</a></li> </ul>
The upright refrigerator/deep freezer does not cool sufficiently	<ul style="list-style-type: none"> <li>• Freezer door being opened frequently</li> <li>• Freezer door left open for a while</li> <li>• Not enough adequate clearance</li> <li>• Freezer is overfilled</li> <li>• Ambient temperature is too high</li> </ul>	<ul style="list-style-type: none"> <li>• Refrain from opening the upright refrigerator/deep freezer door recurrently</li> <li>• Make sure to close upright refrigerator/deep freezer door</li> <li>• Follow recommended clearance measurements</li> <li>• If temperature is higher than 90°F, the unit need longer to cool to the set temperature</li> </ul>
The compressor does not run	<ul style="list-style-type: none"> <li>• The controller is faulty (the power indicator is not on)</li> <li>• The thermostat is set too high and the ambient temperature is too low</li> </ul>	<ul style="list-style-type: none"> <li>• Contact Whynter Service Department via email at <a href="mailto:service@whynter.com">service@whynter.com</a></li> <li>• Set the upright refrigerator/deep freezer to a lower temperature</li> </ul>
Door does not fully close	<ul style="list-style-type: none"> <li>• Legs are not properly leveled</li> <li>• Stored items holding door open</li> </ul>	<ul style="list-style-type: none"> <li>• See "LEVELING THE UPRIGHT FREEZER"</li> <li>• Move stored item to a different location</li> </ul>
Foods defrosting	<ul style="list-style-type: none"> <li>• Freezer is unplugged</li> <li>• Fuse blown</li> <li>• Freezer door being opened frequently</li> </ul>	<ul style="list-style-type: none"> <li>• Push the plug completely into the power source</li> <li>• Replace fuse or reset the breaker</li> <li>• Check to see if an object is holding the door open</li> </ul>
Excessive frost buildup	<ul style="list-style-type: none"> <li>• Door left open too frequent or too long door openings</li> <li>• High humidity</li> </ul>	<ul style="list-style-type: none"> <li>• Check to see if an object is holding the door open</li> <li>• Open the door less often</li> </ul>

## Troubleshooting

Many common upright refrigerator/deep freezer problems are easily resolved. Try the troubleshooting suggestions below to see if the problems can be resolved before having to contact the service department.

Problem	Possible Causes	Solutions
Freezer external surface is warm	<ul style="list-style-type: none"> <li>• The external upright refrigerator/deep freezer walls can be as much as 30°F warmer</li> </ul>	<ul style="list-style-type: none"> <li>• This is normal while the compressor works to transfer heat from inside the upright refrigerator/deep freezer cabinet</li> </ul>
Moisture forms on inside upright refrigerator/deep freezer walls	<ul style="list-style-type: none"> <li>• Weather is hot and humid, which increases internal rate of frost buildup</li> <li>• Door may not be seating properly</li> <li>• Door is kept open too long, or is opened too frequently</li> </ul>	<ul style="list-style-type: none"> <li>• This is normal</li> <li>• Check door installation</li> <li>• Open the door less often</li> </ul>
Odors in upright refrigerator/deep freezer	<ul style="list-style-type: none"> <li>• Interior needs to be cleaned</li> <li>• Food with strong odors are in the upright refrigerator/deep freezer</li> </ul>	<ul style="list-style-type: none"> <li>• Clean interior with sponge, warm water, and baking soda</li> </ul>



# **ONE YEAR LIMITED WARRANTY**

This Whynter product is warranted, to the original owner within the 48 continental states, for one year from the date of purchase against defects in material and workmanship under normal use and service. When making a warranty claim, please have the original bill or invoice of purchase with purchase date available. Should your Whynter product prove defective within one year from the date of purchase, return the defective part or unit, freight prepaid (within two months of purchase; after two months to one year, customer will be responsible for freight cost to Whynter's service department), along with an explanation of the claim to Whynter LLC. A return authorization number issued by Whynter is required for all warranty claims and returns. Please package the Whynter product carefully in its original packaging material to avoid damage in transit. The original box and packaging material should be retained, as Whynter is not responsible for the cost of replacement packaging. Under this warranty, Whynter will repair or replace any parts found defective at our discretion. This warranty is not transferable. After the expiration of the warranty, the cost of labor and parts will be the responsibility of the original owner of the unit.

## **THIS WARRANTY DOES NOT COVER:**

- Acts of God, such as fire, flood, hurricanes, earthquakes and tornadoes.
- Improper power supply such as power surge, low voltage, defective household wiring or inadequate fuses.
- Use in commercial or industrial applications
- Damage, accidental or otherwise, to the product while in the possession of a consumer not caused by a defect in material or workmanship;
- Damage caused by consumer misuse, tampering, or failure to follow the care and special handling provisions in the instructions.
- Damage to the finish of the case, or other appearance parts caused by wear.
- Damage caused by repairs or alterations to the product by anyone other than authorized by the manufacturer.
- Removal, Replacement Packaging, Freight and Insurance cost for the warranty service.

DISCLAIMER OF IMPLIED WARRANTIES; LIMITATION OF REMEDIES CUSTOMER'S SOLE AND EXCLUSIVE REMEDY UNDER THIS LIMITED WARRANTY SHALL BE PRODUCT REPAIR OR REPLACEMENT AS PROVIDED HEREIN. CLAIMS BASED ON IMPLIED WARRANTIES, INCLUDING WARRANTIES OF MERCHANTABILITY OR FITNESS FOR A PARTICULAR PURPOSE, ARE LIMITED TO ONE YEAR OR THE SHORTEST PERIOD ALLOWED BY LAW, BUT NOT LESS THAN ONE YEAR. WHYNTER SHALL NOT BE LIABLE FOR CONSEQUENTIAL OR INCIDENTAL DAMAGES SUCH AS PROPERTY DAMAGE AND INCIDENTAL EXPENSES RESULTING FROM ANY BREACH OF THIS WRITTEN LIMITED WARRANTY OR ANY IMPLIED WARRANTY. SOME STATES AND PROVINCES DO NOT ALLOW THE EXCLUSION OR LIMITATION OF INCIDENTAL OR CONSEQUENTIAL DAMAGES, OR LIMITATIONS ON THE DURATION OF IMPLIED WARRANTIES, SO THESE LIMITATIONS OR EXCLUSIONS MAY NOT APPLY TO YOU. THIS WRITTEN WARRANTY GIVES YOU SPECIFIC LEGAL RIGHTS. YOU MAY ALSO HAVE OTHER RIGHTS THAT VARY FROM STATE TO STATE.

**Please retain the original proof of purchase in order to obtain warranty services.  
Warranty begins from the original date of purchase.**

To obtain service or information, contact  
Whynter LLC via email at [support@whynter.com](mailto:support@whynter.com) or call  
866-WHYNTER.

Product contents and specifications may change without notice.

Copyright © 2020 Whynter LLC  
WWW.WHYNTER.COM